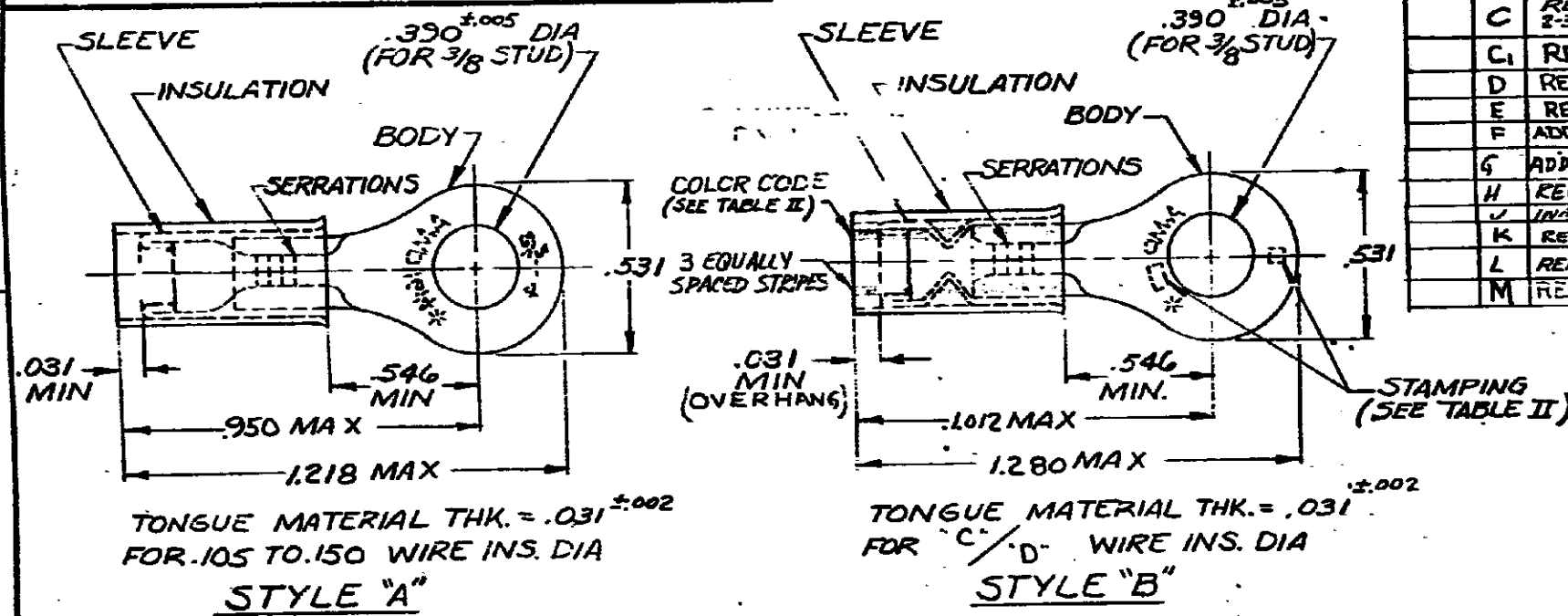


DRAWING MADE IN AMERICAN PROJECTION

© 1951 BY AMP INCORPORATED. ALL RIGHTS RESERVED. AMP PRODUCTS COVERED BY PATENTS AND/OR PATENTS PENDING.



REVISIONS				
ZONE	LTR	DESCRIPTION	DATE	APPROVED
	C	REDRAWN & ADDED 2-320564-1 & 2-320564-2 PER NS 67-0400 & 69-0401	9-5-69	FCY
	C1	REV COLOR CODE PG158	9-11-69	FCY
	D	REVISED PC-5569	12-18-69	FCY
	E	REVISED B-630	1-5-70	FCY
	F	ADDED 2-3 / P-7000	11-14-73	JLL
	G	ADDED .062 MIN. COLOR BAND-G1322	5-3-76	2 5-3-76
	H	REV PER PC-8820	06/21/80	JLZ
	J	INACTIVATED 2-3 P.9261	01/17/82	JLZ
	K	REV PER G-1595	04/23/83	PM
	L	REACTIVATE 2-3 G-4674	4-7-88	GT
	M	REV/0720-0056-93	3-20-93	TO/ME

PART NO	STYLE	WIRE SIZE	WIRE INS. DIA	WIRE I SHIP STAMPING	COLOR CODE	PART NO. ON TAPE
8-320564-1	"A"	16-14	AS SHOWN			
2-320564-2	"B"	14	14	4	GREEN	
2-320564-1	"B"	16	16	2 1/2	BLUE	
320564	"A"	16-14	AS SHOWN			2-320564-3

QTY	DESCRIPTION	PART NO.	MATERIAL & FINISH
1	WIRE TERMINAL INSULATION RESTRICTING	2-320564-2	BODY: COPPER (QQ-C-576) TIN PL (MIL-T-10727)
1	WIRE TERMINAL	2-320564-1	SLEEVE: COPPER (QQ-C-576) TIN PLATE (MIL-T-10727)
100	LOOSE PC BOX	8-320564-1	INSULATION: NYLON (MIL-M-20693) TYPE I, COLOR: BLUE
1	WIRE TERMINAL	320564	BODY & SLEEVE: COPPER (QQ-C-576) TIN PL (MIL-T-10727)
			INSULATION: NYLON (MIL-M-20693) TYPE I, COLOR: BLUE

UNLESS OTHERWISE SPECIFIED DIMENSIONS ARE IN INCHES TOLERANCES ON: DECIMALS ±.008 ANGLES ± 5°		CONTRACT NO. —		AMP INCORPORATED HARRISBURG, PENNSYLVANIA	
MATERIAL		DR. <i>Am E...</i> 9-3-69		NAME WIRE TERMINAL	
SEE TABLE I		CHK. <i>PC...</i> 1-5-69		P.I.D.G. - RING TONGUE	
		APPD. <i>Jud...</i> 9-7-69		SIZE B	
		REL. <i>Am E...</i> 9-7-69		CODE IDENT. NO. 00779	
		DSGN APPD. <i>J...</i>		NUMBER 320564	
		OTHER APPD.		SCALE NTS	
				SHEET 1 OF 1	